

常州承立精密设备有限公司

Changzhou Chengli Precision Equipment Co.,Ltd

常州荣玖机械股份有限公司

Changzhou Rongjiu Machinery Co.,Ltd



常州承立精密设备有限公司

Changzhou Chengli Precision Equipment Co.,Ltd

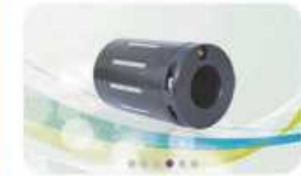
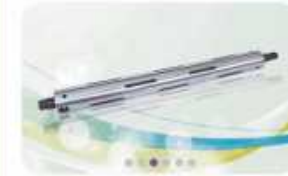
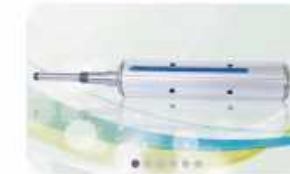
常州荣玖机械股份有限公司

Changzhou Rongjiu Machinery Co.,Ltd



用志不分，乃凝于神

精于专业，诚于服务



CONTACT US

Terrence



Whatsapp

Shirley



Whatsapp

Web: www.airshaft-china.com

Mob/Whatsapp/Wechat: +86 13291311944 ; +86 13584513572

Email: Terrenceqi@outlook.com Shirleyli2019@outlook.com

产品说明

PRODUCT DESCRIPTION

中国·常州

Changzhou·China



领航未来 ” 成就梦想

挑战自我

坚持恒心

锲而不舍

不拒本心

CONTENTS 目录

▶ 企业简介 Company Introduction	01
▶ 车间展示 Workshop Display	03
▶ 键条式气胀轴 Lug Type Air Shaft	05
▶ 瓦片式气胀轴 Leaf Type Air Shaft	06
▶ 通键式气胀轴 Multitube Type Air Shaft	07
▶ 镂空式通键气胀轴 Bird Nest Type Air Shaft	08
▶ 碳纤维气胀轴 Carbon Fiber Air Shaft	08
▶ 气胀套 Airshaft Adaptor	09
▶ 弧形辊 Arc Rubber Roller	10
▶ 铝合金展平辊 Aluminum Extension Roller	11
▶ 机械式气胀轴 Mechanical Shaft	11
▶ 毛刷型展平辊 Brush Extension Roller	12
▶ 铝导辊 Aluminum Guide Roller	12
▶ 滑差轴 Friction Air Shaft	13
▶ 滑差环 Friction Ring	13
▶ 气胀轴气嘴 Airshaft Parts-Air Valve	14
▶ 气胀轴气囊 Airshaft Parts-Inner Air Tube	14
▶ 气胀轴充气柄 Airshaft Parts-Air Inflator	14
▶ PC型磁粉式离合器 PC Type Magnetic Powder Clutch	15
▶ PB型磁粉式制动器 PB Type Magnetic Powder Brake	16
▶ PC-A2型中空磁粉离合器	17
PC-A2 Hollow Type Magnetic Powder Clutch	
▶ PB- B2型中空磁粉制动器	17
PB-B2 Hollow Type Magnetic Powder Brake	
▶ PB-B3中空薄型磁粉制动器	18
PB-B3 Hollow Thin Type Magnetic Powder Brake	
▶ 手动张力控制器 Manual Tension Controller	19
▶ 自动张力控制器 Automatic Tension Controller	20
▶ 安全夹头、法兰型、轴座型安全夹头 Safety Chuck	21
▶ VT型托口标准尺寸表	25
VT Type Holding Mouth Dimension Chart	
▶ 数码印花专用轻型卡盘	26
Digital Printing Industry Light Type Safety Chuck	



COMPANY INTRODUCTION

企业简介

常州承立精密设备有限公司在2011年涉足于气胀轴行业项目，从2019年开始主要专职做气胀轴，安全卡盘，铝导辊，舒展辊，毛刷辊等产品的出口。

常州荣玖机械是常州承立精密设备有限公司的工厂抬头，常州荣玖机械负责内销，常州承立精密设备有限公司负责所有的出口销售。

现公司情况如下：

员工数量：120人

厂房：3间，共15000平方米

本公司将全心为客户服务，提供全套解决方案。

Changzhou Chengli Precision Equipment Co, Ltd ventured into the air shaft industry in 2011 and has primarily focused on the export of air shafts, safety chucks, aluminum guide rollers, stretching rollers, brush rollers, and other related products since 2019.

Changzhou Rongjiu Machinery Co., Ltd is the factory name for domestic business. While Changzhou Rongjiu Machinery handles domestic sales, Changzhou Chengli Precision Equipment Co, Ltd is responsible for all export sales.

Current Company Overview:

Number of Employees:120

Factory Premises: 3 buildings totaling 15,000 square meters.

Our company is committed to serving our customers with dedication and providing comprehensive solutions.



公司展示



Workshop
DISPLAY
车间展示





键条式气胀轴

LUG TYPE AIR SHAFT

键条式气胀轴被设计成用于轴心收卷和单轴放卷方式，用以满足客户高强度的张力或扭矩的需求，同时也满足可以承受高的料重。通过单气囊的膨胀、键膨胀，轴芯就会被夹紧。气胀轴中心管体可由钢或铝制成，键由铝制成。若客户有特别要求，键也可用其他材料制成。为满足客户的特别要求，我们可以按照客户图纸尺寸定制各种材质与表面处理的轴头。由于其独特的夹式系统，气囊可以在轴头抽出后被轻松地更换，不需要采用特殊工具。



Lug type air shaft is designed for shaft core winding and single shaft unwinding. The main feature is to meet the requirements of high tension and high torque. It has a higher weight load ability. The shaft body is made of aluminum or steel, lug is made of steel, aluminum or nylon. Other material requirements can also be fulfilled. Because of the special inner structure, the inner rubber tube can be changed by simple tools. It is convenient for repairing and replacing.

型式	Diameter Chart	1英寸 Inch	2英寸 Inches	3英寸 Inches	4英寸 Inches	5英寸 Inches	6英寸 Inches	8英寸 Inches	10英寸 Inches	12英寸 Inches
未充气时直径	Diameter before Expanding[mm]	24	49	74	98	124	149	200	250	300
充气后直径	Diameter after Expanding [mm]	28-32	52-54	79-81	103-105	129-131	154-156	205-207	255-257	305-307
适用卷管内径	Applicable Tube Core ID [mm]	26-30	50.5-52	75.5-78.5	99.5-103	126-128	152-154	202-204	252-254	302-304
键数量	Lug Arrangement	3+3	3+3	3+3	4+4	4+4	5+5	6+6	6+6	6+6
主体重量 钢体	Body Weight by Steel [kg/m]	7	12	19	29	37	52	78	118	180
主体重量 铝体	Body Weight by Aluminum [kg/m]	4	7	10	17	22	32	50	80	130
最大承重 钢体	Maximum Weight Load by Steel [kg]	50	200	1100	1850	3350	3700	4500	5500	6500
最大承重 铝体	Maximum Weight Load by Aluminum [kg]	20	100	700	950	1500	1900	2500	3200	4000
最大转矩	Maximum Torque [Nm/m]	100	200	440	570	980	1600	2200	3000	4000

注:其他尺寸在允许范围内可依据需求定制

Other dimensions are available according to customer requirement

瓦片式气胀轴

LEAF TYPE AIR SHAFT

板条式气胀轴可用于分条收卷和悬臂式单轴放卷，六片式设计可使支撑更平衡，且保护气囊具有更长寿命。通过单气囊的膨胀，板条膨胀，轴芯就会被夹紧。气胀轴中心管体可由钢或铝制成，板条由铝制成。为满足客户的特别要求，我们可以按照客户图纸要求定制各种材质与表面处理的轴头。由于其独特的夹式系统，气囊可以在轴头抽出后被轻松地更换，不需要采用特殊工具。



Leaf type air shaft is suitable for winding after slitting or cutting and cantilevered single shaft winding. The six pieces of leaves can provide a balance to the air shaft by which to ensure longer using time. The leaf is made of steel and inner body of shaft is made of steel or aluminum. Tailor-made is welcomed. Because of the design, rubber tube can be taken out or replaced easily.

型式	Diameter Chart	1英寸 Inch	2英寸 Inches	3英寸 Inches	4英寸 Inches	5英寸 Inches	6英寸 Inches
未充气时直径	Diameter before Expanding[mm]	25	50	75	99	125	150
充气后直径	Diameter after Expanding [mm]	27	52	78	102	130	158
适用卷管内径	Applicable Tube Core ID [mm]	25.4-26	50.8-51.5	75.6-76.8	100-101	126-128	151-156
键数量	Lug Arrangement	2	3	6	8	5	6
主体重量 钢体	Body Weight by Steel [kg/m]	7	14	18	28	36	51
主体重量 铝体	Body Weight by Aluminum [kg/m]	3.5	6	9	16	21	31
最大承重 钢体	Maximum Weight Load by Steel [kg]	40	150	800	1500	2000	300
最大承重 铝体	Maximum Weight Load by Aluminum [kg]	-	-	500	950	1300	2000
最大转矩	Maximum Torque [Nm/m]	100	200	520	1120	1330	2210

注:其他尺寸在允许范围内可依据需求定制

Other dimensions are available according to customer requirement



通键式气胀轴

MULTITUBE TYPE AIR SHAFT

独特的气胀轴设计，气囊和通长键条可以很容易地被更换，而不必拆卸轴头。气压使气囊膨胀时，气胀轴通长键条外径得以扩大，卡住纸管内径。钢质主体标准尺寸与规格(见下表)，其他尺寸可应要求提供。



The rubber strip and inner rubber tube can be replaced easily for multitube air shaft, without dismantling outside structure of the air shaft. The expanding elements are made of rubber or aluminum according to customer requirements.



型式	Diameter Chart	1英寸 Inch	2英寸 Inches	3英寸 Inches	4英寸 Inches	5英寸 Inches	6英寸 Inches	8英寸 Inches	10英寸 Inches	12英寸 Inches
未充气时直径	Diameter before Expanding[mm]	25	50	74.5	99	125	150.4	201	252	302
充气后直径	Diameter after Expanding [mm]	27	52.8	77.5	102	128	154.4	205	256	306
适用卷管内径	Applicable Tube Core ID [mm]	25.4	50.8	76.2	101.6	127	152.5	203.2	254	304.8
键数量	Lug Arrangement	3	3	6	6	6	6	8	8	8
主体重量 钢体	Body Weight by Steel [kg/m]	3.5	15	35	56	81	127	195	295	450
最大承重 钢体	Maximum Weight Load by Steel [kg]	60	300	1300	1900	3400	3800	5000	6000	7000
最大转矩	Maximum Torque [Nm/m]	100	200	620	1120	1330	2210	2920	3500	4800

注:其他尺寸在允许范围内可依据需求定制

Other dimensions are available according to customer requirement

镂空式通键气胀轴

BIRD-NEST TYPE MULTITUBE AIR SHAFT

镂空式通键气胀轴是通键气胀轴的一种。它与通键气胀轴具有相同的功能。它的优点是更适合大直径要求和高重量负载的使用环境。

The Bird-Nest Type air shaft is one type of the multitube air shaft. It shares the same feature with multitube air shaft. Its advantage is that it is more suitable for large diameter requirement and high weight load using environment.



碳纤维气胀轴

CARBON FIBER AIR SHAFT

碳纤维气胀轴重量为传统气胀轴的1/4，非常适合高承载及需人力搬运上下料使用。它可减轻操作人员在搬运上的职业伤害，更能提高工作效率。它最优化的内部结构设计更加代表了气胀轴产业的未来，即使在高转速领域，也不会产生剧烈震动。

它广泛适用于各种特殊环境(无压、腐蚀性、高温环境下)皆可适用。

For the air shaft of the same dimension, the weight of carbon fiber airshaft is only 1/4 of other material airshaft. It is a very good choice for high weight load using and is friendly for operation worker.

Carbon Fiber airshaft has the best inner structure compared with other types. It won't have apparent vibration even in high speed movement. It has a comprehensive using scope including zero-gravity, corrosive and high temperature environment, etc.



注:其他尺寸在允许范围内可依据需求定制

Other dimensions are available according to customer requirement

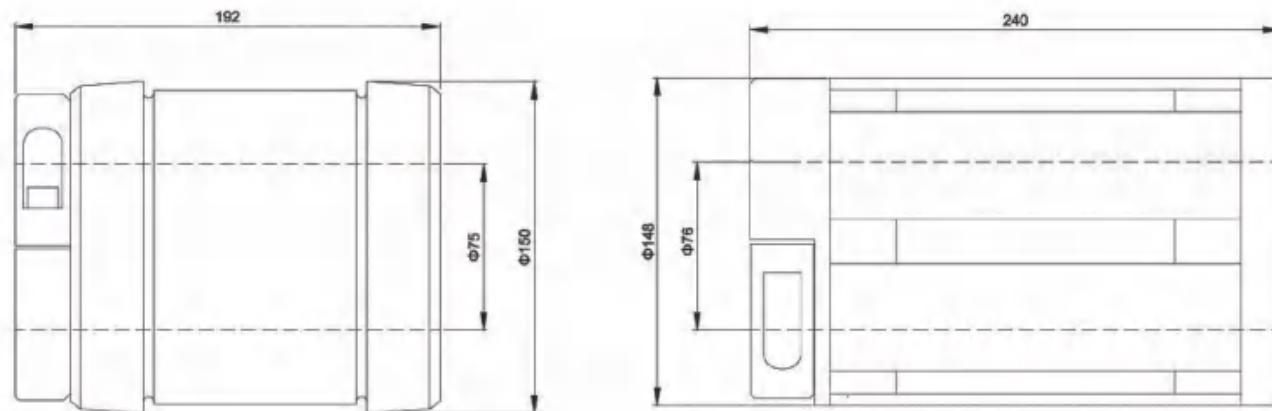


气胀套

AIRSHAFT ADAPTOR

气胀套夹是安装在现成的气胀轴上，定位在气胀轴末端的部件，主要用于3英寸气胀轴本身的抓力对本套夹内径加以固定，或以附属的弧形近环固定。产品本体和弧形迫环由铝制成，气胀的部分由橡胶制成。通孔可以根据客户要求定制。我们的气胀套夹可以串联连接。气胀套夹适用于短暂替代，长期使用时建议以6英寸轴为佳。

Airshaft Adaptor is installed on the end of the airshaft, it can also be connected one by one. Its function is to make a 3 inch airshaft being able to wind 6 inch rolls. Other dimensions are also available according to customer requirements. The Airshaft Adaptor is made of aluminum, expanding elements by aluminum or rubber. But for long time using, purchasing larger size airshaft is a better recommendation.



注：其他尺寸在允许范围内可依据需求定制 Other dimensions are available according to customer requirement

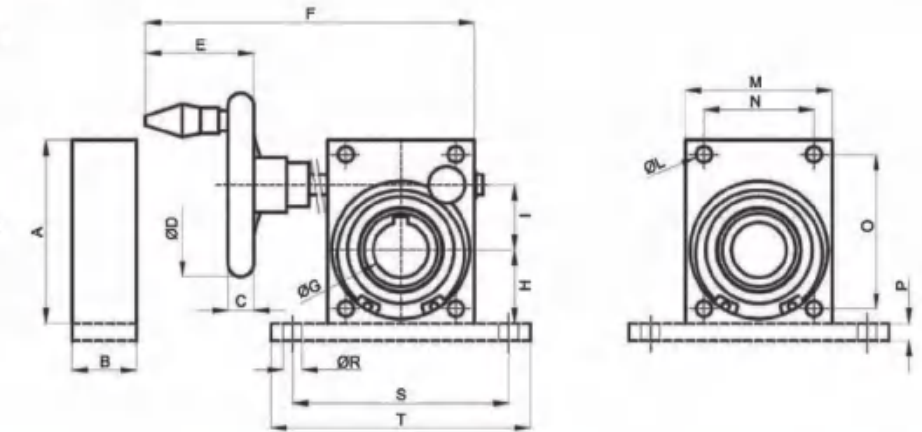
弧形辊

ARC RUBBER ROLLER



当加工纸质、布料或者塑料薄膜时，为了防止材料打皱，产生折缝，弧形辊被用来均匀地传送材料来达到展平的效果。产品表面采用油性防静电黑色橡胶，具有优良的机械性及耐磨性，若客户有使用上的特殊要求也可以采用其他种类的橡胶。所有种类的辊都可以用轴座固定或采用法兰固定。弧形辊的标准弧度是标准直径的1%至1.4%。

Arc Rubber Roller is used to prevent material from wrinkling or creasing during the procession of paper, fabric, plastic or film. The surface of arc rubber roller is black anti-static rubber and other material is also acceptable by customer requirements. All the rollers can be fixed by shaft seat or flange. The standard radian or camber of the arc rubber roller is 1%-1.4% of the standard diameter.



型式 Model	A	B	C	ΦD	E	F	ΦG	H	I	ΦL	M	N	O	P	ΦR	S	T
SG1 SP1	100	35	15	100	61	230	25 30	40	35.5	8.5	80	60	84	10	11	125	150
SG2 SP2	140	50	15	120	61	250	35 40	69	41	10.5	120	100	120	20	13	160	200
SP3 SG3	138	60	15	120	61	250	50	69	53	8	130	110	67.5	20	13	170	210



型式 Model	ACR075	ACR085	ACR100	ACR130	ACR150
轴径 Roller Diameter	75	85	100	130	150
主体尺寸 Body Length	最小 Min	500	500	1400	1400
	最大 Max	1800	2000	3000	4000
支持类型 Support Type	SG1-SP1	SG1-SP1	SG2-SP2	SG2-SP2	SG3-SP3

注：其他尺寸在允许范围内可依据需求定制 Other dimensions are available according to customer requirement



铝合金展平辊

ALUMINUM EXTENSION ROLLER

产品特点:

横向拉伸展平，展平能力强，能承受较大基材的拉力，对较厚基材也能有效展平，安全可靠，耐用，安装简便，易于维修轴承座有两种型式可供选择，展平调试简单，只需稍转芯轴便可，一次调好对各种原因引起的皱折均能消除。无须经常调节。广泛应用于纺织、印染、印刷造纸、薄膜、复合、涂层、无纺布等行业中的低速生产。

Aluminum Extension Roller is suitable for horizontal flattening and unbending. It can also extend thick material in large size. There are two types of bearing seat for selection. The adjustment of this roller is simple, only need to rotate the mandrel. It can be applied in Textile, Printing, Paper, Film, Plastic, Coating, Laminating, Non-woven and other related industries.



机械式胀轴

MECHANICAL SHAFT

机械式气胀轴主要应用于对动平衡有要求的场合，可适应高转速应用场合。产品具备了整体高同心度的性能，对于料卷转动的跳动有较好的控制，在需要精确定位的场合，也有优异的表现。工作原理在于带有斜面的活塞，压缩空气进入气室，推动活塞转向运动；带动带有斜面的键条进行径向运动，键箱扩展，卡紧料管，所有的键条同步扩展，到达一个相同的高度，优势是绝对同心。

Mechanical pneumatic expansion shafts are mainly used in situations where dynamic balance is required and can adapt to high speed applications. The product has an overall high concentricity performance, which has good control over the jumping of the material roll rotation. It also has excellent performance in situations where precise positioning is required.



注:其他尺寸在允许范围内可依据需求定制

Other dimensions are available according to customer requirement

毛刷型展平辊

BRUSH EXTENSION ROLLER

毛刷型展平辊可用于数码打印和分切条件下的材料展平作用，通过装配在本体上两个相对方向的毛刷，依靠材料的张力，使毛刷向两边压迫倾斜，从而拉伸材料，使之平整。为了保证其更长的使用寿命和表面抗腐蚀性，辊体材料采用铝合金，轴端采用不锈钢。轴端形式依据客户图纸定制加工。

定制规格为Φ102和Φ82。毛刷条数为圆周22条和17条。

毛刷材质为进口尼龙。

Brush Extension Roller is used for material extension in Digital Printer and Cutting Machine. With the tension of the material, the brush on opposite side of the roller will tilt. Then it can extend the material and make the material even and flattened. For longer using time and anti-corrosion, the roller body is made of aluminum and 2 sides are made of stainless steel.

The Standard diameter is Φ102 and Φ82mm. Brush quantity is 22pcs and 17pcs.

Brush Material is imported nylon.



铝导辊

Aluminum Guide Roller

轻型过渡导辊用于低张力的数码打印和分切、热转印、以及需要收放卷条件下的过渡。辊体材质为碳钢和铝合金，碳钢材料表面处理为电镀，铝合金材料的表面处理为阳极硬质氧化，轴端形式依据客户图纸加工定制。

Guide rollers are used for low tension digital printing and slitting, heat transfer printing, and transitions under conditions that require winding and unwinding. The roller body is made of carbon steel and aluminum alloy. The surface treatment of carbon steel material is electroplating, while the surface treatment of aluminum alloy material is anodized hard oxidation. The shaft end form is customized according to the customer's drawings.



注:其他尺寸在允许范围内可依据需求定制

Other dimensions are available according to customer requirement



滑差轴

FRICION AIR SHAFT

滑差轴是气胀轴的一种。它是一种广泛应用于印刷机械、造纸机械、塑料机械、食品包装机械等设备的精密配件。它通过气压控制轴表面的胀缩，从而实现对卷筒物料的卷绕和放卷。滑差轴的设计使得在物料卷绕或放卷时，各层物料间的张力能够均匀分布，避免了因张力不均造成的物料损伤。

Friction Airshaft is a precision mechanical component designed to allow for controlled slippage or differential rotation between two connected parts during slitting and cutting. It is commonly used in various industrial applications, such as textile machinery, printing presses, and packaging equipment to enable smooth and efficient operation. The unique design allows for precise adjustment of torque transmission, enabling efficient transmission while minimizing wear and tear on the system. Its durability and reliability contribute to improved operational efficiency and product quality.



滑差环

FRICION RING



滑差环，作为滑差轴的核心部件，通过外套与内套的摩擦打滑机制，实现扭矩的传递且能灵活调节。其设计巧妙，能够应对各种负载和速度变化，确保扭矩的精准控制。滑差环的性能直接关系到滑差轴的工作效能和使用寿命，因此，在选择和使用时，需结合具体应用场景，确保达到最佳性能。

The friction ring is a crucial component of the friction shaft. Through the friction slipping mechanism between the outer sleeve and the inner sleeve, it achieves torque transmission and flexible adjustment. With its ingenious design, it can handle various loads and speed changes, ensuring precise torque control. The performance of the friction ring directly affects the working efficiency and service life of the friction shaft. Therefore, when selecting and using it, it is necessary to consider the specific application scenarios to ensure optimal performance.

注:其他尺寸在允许范围内可依据需求定制

Other dimensions are available according to customer requirement

气胀轴气嘴

AIRSHAFT PARTS-AIR VALVE



气嘴是气胀轴最重要的部分。它的质量决定了气胀轴的使用寿命。我们有不同的气嘴型号例如: 1/4、1/8、M8、M10、M12、M14等。

Air valve is the most important part of the air expanding shaft. Its quality can decide the using time of the airshaft. We have different types of air valve.

Different sizes: 1/4, 1/8, M8, M10, M12, M14 or others.

The normal airshaft uses copper material, currently we use stainless steel air valve. Its quality is much more better than copper material.

气胀轴气囊

AIRSHAFT PARTS-INNER AIR TUBE



气胀轴气囊是气胀轴的核心部件，一旦气囊破损就需要停工维修，非常麻烦，因此需要选用好的材质。

The inner air tube of the air shaft is the core component of the shaft. Once the air tube is damaged, it needs to be repaired while work is suspended, which is very inconvenient. Therefore, good material should be selected.

气胀轴充气柄

AIRSHAFT PARTS-AIR INFLATOR



气胀轴充气柄负责给气胀轴充气。

The airshaft inflator is used to inflate the airshaft.

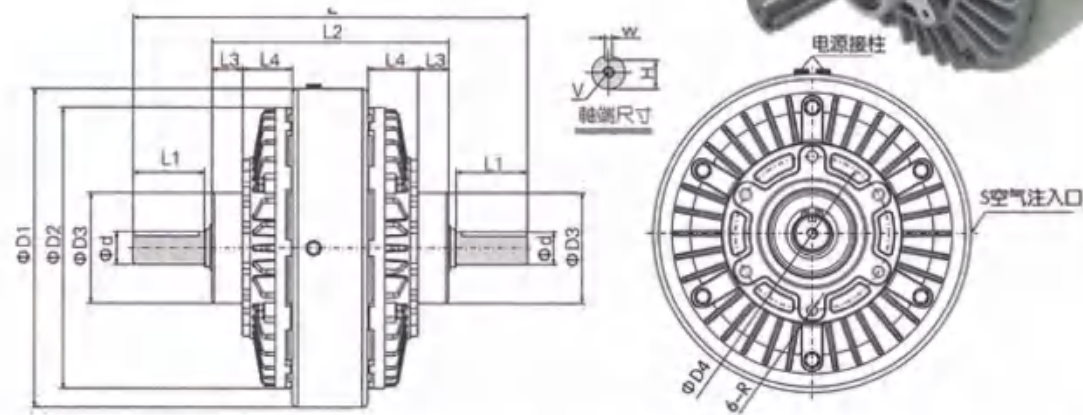
注:其他尺寸在允许范围内可依据需求定制

Other dimensions are available according to customer requirement



PC型磁粉式离合器

PC TYPE MAGNETIC POWDER CLUTCH

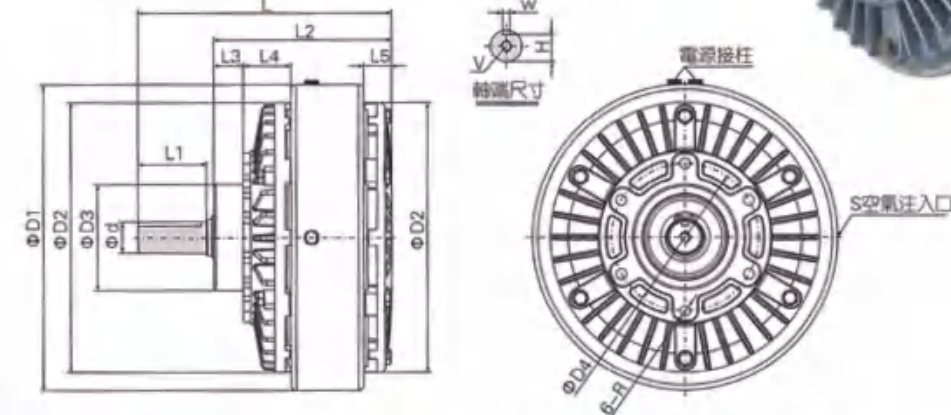


型号 Type	PC-0.6	PC-1.2	PC-2.5	PC-5	PC-10	PC-20	PC-40
额定转矩 kgf/m(N·m) Rated Torque	0.6 (6)	1.2 (12)	2.5 (25)	5(50)	10 (100)	20 (200)	40 (400)
容量 DC24 (75°C) Power Capacity	电流(A) Electric Current	0.81	0.94	1.24	2.15	2.4	3.5
	功率(W) Power	19.4	22.5	30	51.5	57.6	84
	时定数(S) Timing	0.08	0.1	0.12	0.13	0.25	0.37
惯性矩 Moment of Inertia	6x10 ⁻⁴	1.34x10 ⁻³	3.8x10 ⁻³	9.5x10 ⁻³	3.5x10 ⁻²	9.15x10 ⁻²	2.4x10 ⁻¹
强制空冷容 许滑动功率 Forced Air Cooling Permissible Sliding Power	风压(Pa) Wind Pressure		3x10 ⁴	5x10 ⁴	1x10 ⁵	6x10 ⁴	5x10 ⁴
	风量(Pa) Wind Quantity		0.2	0.4	0.6	1.1	1.6
	功率(W) Power		250	380	700	1100	1900
重量 (kg) Maximum Speed	4	5.2	9	14.5	34	53	100
最高转速 (r/min) Ceight	1800	1800	1800	1800	1800	1800	1800
磁粉重量 (g) Weight of Magnetic Powder	10	20	33	60	140	225	370
外形尺寸 Outside Dimension	D1	134	152	182	219	290	325
	D2	116	126	160	198	256	295
	D3(g7)	42	42	55	74	100	110
	D4	64	64	78	100	140	150
	L	164	192	232	294	360	408
	L1	26	29	43	55	65	69
	L2	100	124	136	172	216	250
	L3	14	15	17	30	28	30
	L4	18	25.5	26	28	45.5	55
	d(h7)	12	15	20	25	30	35
	H	9.5	12.5	17.5	21	26	30.5
	W(p7)	4	5	5	7	7	10
	V	M4x0.7Px8L	M4x0.7Px8L	M5x0.7Px10L	M6x1Px12L	M10x1.5Px20L	
R	M5x0.7P	M6x1P		M10x1.5P			
S	1/8	1/8	1/4	3/8			

本公司保留产品规格、尺寸变更或停用的权利。Seller shall keep the right of changing or revising the specification and dimension of the products.

PB型磁粉式制动器

PB TYPE MAGNETIC POWDER BRAKE



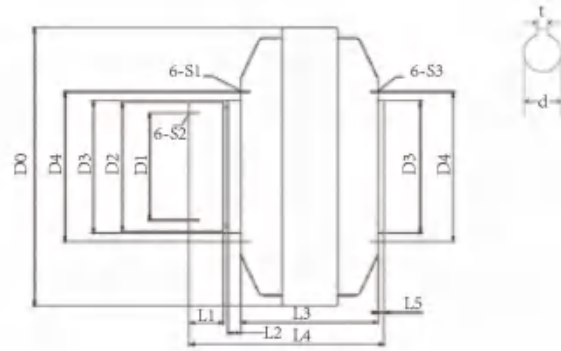
型号 Type	PB-0.6	PB-1.2	PB-2.5	PB-5	PB-10	PB-20	PB-40
额定转矩 kgf/m(N·m) Rated Torque	0.6 (6)	1.2 (12)	2.5 (25)	5(50)	10 (100)	20 (200)	40 (400)
容量 DC24 (75°C) Power Capacity	电流(A) Electric Current	0.81	0.94	1.24	2.15	2.4	3.5
	功率(W) Power	19.4	22.5	30	51.5	57.6	84
	时定数(S) Timing	0.08	0.1	0.12	0.13	0.25	0.37
惯性矩 Moment of Inertia	6x10 ⁻⁴	1.34x10 ⁻³	3.8x10 ⁻³	9.5x10 ⁻³	3.5x10 ⁻²	9.15x10 ⁻²	2.4x10 ⁻¹
强制空冷容 许滑动功率 Forced Air Cooling Permissible Sliding Power	风压(Pa) Wind Pressure		3x10 ⁴	5x10 ⁴	1x10 ⁵	6x10 ⁴	5x10 ⁴
	风量(Pa) Wind Quantity		0.2	0.4	0.6	1.1	1.6
	功率(W) Power		250	380	700	1100	1900
重量 (kg) Maximum Speed	4	5.2	9	14.5	34	53	100
最高转速 (r/min) Ceight	1800	1800	1800	1800	1800	1800	1800
磁粉重量 (g) Weight of Magnetic Powder	10	20	33	60	140	225	370
外形尺寸 Outside Dimension	D1	134	152	182	219	290	325
	D2	116	126	160	198	256	295
	D3(g7)	42	42	55	74	100	110
	D4	64	64	78	100	140	150
	L	112.5	132	157	192	239	270.5
	L1	26	192	232	55	65	69
	L2	80.5	98	108	131	167	191.5
	L3	14	124	136	30	28	30
	L4	18	15	17	28	45.5	55
	L5	12.5	25.5	26	18	26.5	26.5
	d(h7)	12	15	20	25	30	35
	H	9.5	12.5	17.5	21	26	30.5
	W(p7)	4	5	5	7	7	10
V	M4x0.7Px8L	M4x0.7Px8L	M5x0.7Px10L	M6x1Px12L	M10x1.5Px20L		
R	M5x0.7P	M6x1P		M10x1.5P			
S	1/8	1/8	1/4	3/8			

本公司保留产品规格、尺寸变更或停用的权利。Seller shall keep the right of changing or revising the specification and dimension of the products.



PC-A2型中空磁粉离合器

PC-A2 HOLLOW TYPE MAGNETIC POWDER CLUTCH

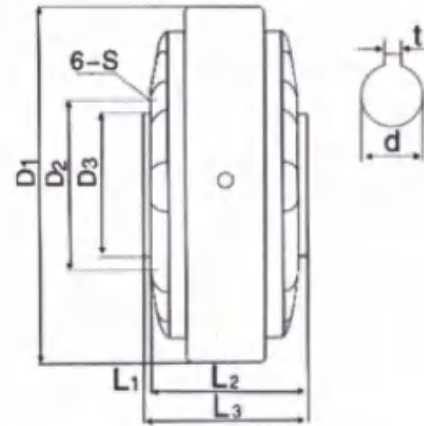


规格表

型号 Type	主要技术参数 Main Data				外形尺寸 Outside Dimension													净重量 (Kg) Net Weight
	转矩 Torque	电压 Voltage	转速 Speed	最大电流A Maximum Electric Current	D ₀	D ₁	D ₂ xL ₁	D ₃ xL ₂	D ₄	L ₃	L ₄	L ₅	d	t	6-S ₂	6-S ₁	6-S ₃	
PC-6A2	6	24	1400	0.8	130	50	60x16	62x6	70	64	91	3	16	5	M4	M5	M5	3
PC-12A2	12			1	157	63	70x18	72x7	80	77	107	3	20	6	M4	M5	M5	6
PC-25A2	25			1.5	182	71	80x12	82x10	97	88	125	4	25	8	M5	M6	M6	9
PC-50A2	50		1.8	219	85	95x22	97x11	110	103	144	4	30	8	M6	M6	M8	14.5	
PC-100A2	100		2	290	105	125x24	128x14	145	137	183	5	35	10	M8	M8	M8	33	
PC-200A2	200		3	335	125	140x28	145x17	165	145	200	5	45	14	M8	M10	M10	48	
PC-400A2	400	4	398	160	180x30	190x20	210	193	251	5	60	18	M10	M12	M12	75		

PB-B2型中空磁粉制动器

PB-B2 HOLLOW TYPE MAGNETIC POWDER BRAKE



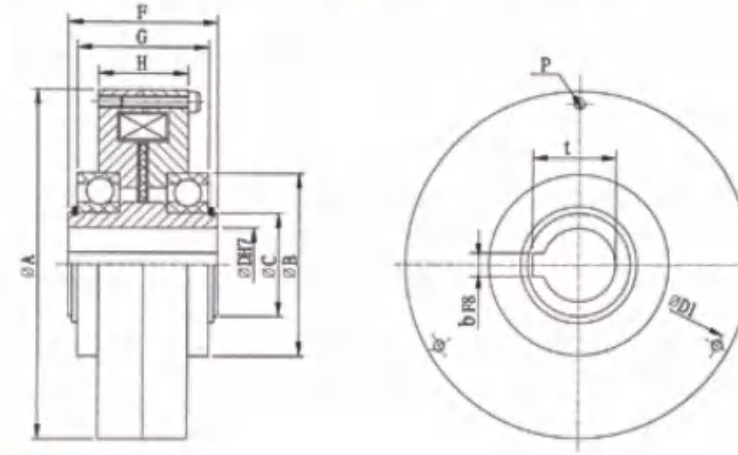
规格表

型号 Type	主要技术参数 Main Data				外形尺寸 Outside Dimension										净重量 (Kg) Net Weight
	转矩 Torque	电压 Voltage	转速 Speed	最大电流A Maximum Electric Current	D ₁	D ₂	D ₃	L ₁	L ₂	L ₃	d	t	6-S		
PB-6B2	6	24	1400	0.8	130	62	52	3	54	60	16	5	M5	2.5	
PB-12B2	12			1	150	82	65	4	63	71	20	6	M5	4	
PB-25B2	25			1.5	177	110	90	4	75	84	25	8	M6	6.5	
PB-50B2	50		1.8	215	130	110	5	86	96	30	8	M8	11.5		
PB-100B2	100		2	260	140	120	5	99	109	35	10	M10	20		
PB-200B2	200		3	300	180	150	5	129	141	45	14	M10	40		

本公司保留产品规格、尺寸变更或停用的权利。Seller shall keep the right of changing or revising the specification and dimension of the products.

PB-B3中空薄型磁粉式制动器

PB-B3 HOLLOW THIN TYPE MAGNETIC POWDER BRAKE



规格表

型号 Type	006	015	025	050	100	
定转矩kgf/m(N·m) Outside Dimension	0.6	1.2	2.5	5	10	
惯性矩kgm ² Fixed Torque	9.0x10 ⁻⁵	1.60x10 ⁻⁵	2.8x10 ⁻⁴	10.0x10 ⁻⁴	3.80x10 ⁻³	
容量 (75°C) Inertia Capacity	电流A Electric Current	0.4	0.5	1.1	1.35	1.31
	电力(w) Power	9.6	12	26.4	32.4	31.4
	时定数(S) Timing	0.1	0.13	0.15	0.17	0.3
最高运转速 (r.p.m) Max Speed	600	600	600	600	600	
键槽 (b*t) Key way (mm)	6x22.8	8x28.3	8x28.3	8x33.3	10x38.3	
径方向 Radial Direction	A	105	118	139	182	232
	B	55	62	62	80	100
	C	30	35	35	40	55
	D	20	25	25	30	35
	D1	97	110	129	169	216
	P	4-M4	3-M4	4-M5	4-M6	4-M8
轴方向 Axial directi	F	49	52	60	72	94
	G	43	44	52	63	82
	H	30	30	42	47	62
磁粉重量 (g) Magnetic Powder Weight	14	17	30	60	100	
重量 (kg) Weight	N/A	2.24	4.4	8.4	17.6	

本公司保留产品规格、尺寸变更或停用的权利。Seller shall keep the right of changing or revising the specification and dimension of the products.



手动张力控制器 KTC800A

MANUAL TENSION CONTROLLER KTC800A

功能特点 Function Feature

- 由大功率开关电源供电
- 采用脉宽调制, 发热小, 效率高
- 实时电流显示
- High power switch supply
- Pulse Width Modulation (PWM), lower heat and higher efficiency
- Real-time Electric Currency Display
- 输入电源AC165~264V, 输出DC0~24V/4A
- 可外部0~10V控制
- 自动过流保护
- Input Power AC165-264V, Output Power DC 0-24V/4A
- 0-10V Outside Control
- 多种安装方式, 安装便利, 美观实用
- Easy Assemble
- Automatic Over Current Protection



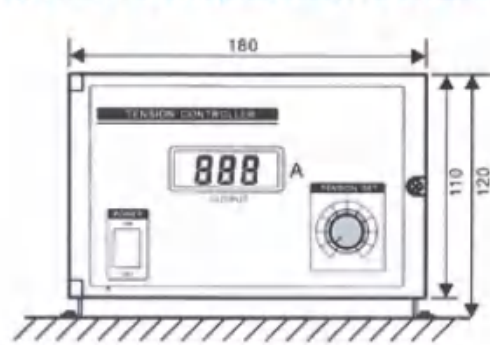
KTC800A



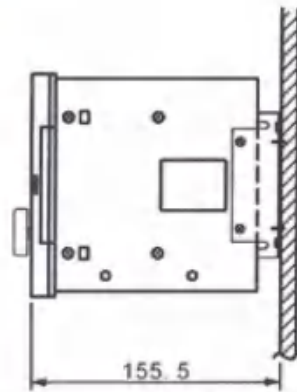
KTC002B

安装方式 (适用于KTC002/KTC800A)

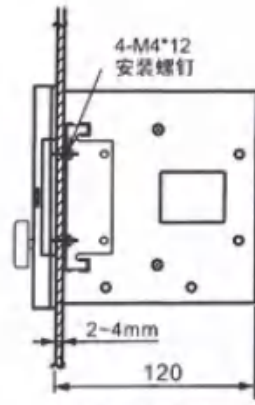
Assemble Method(suitable for KTC002/KTC800A)



落地式安装
Flour Mount



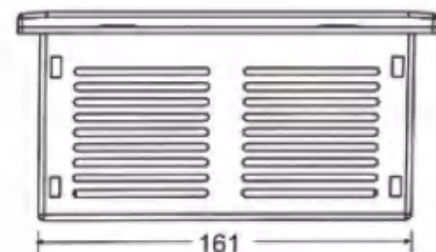
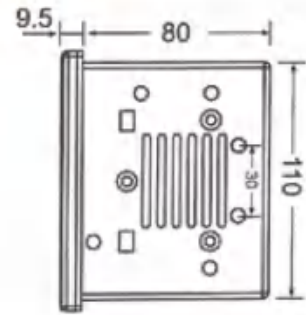
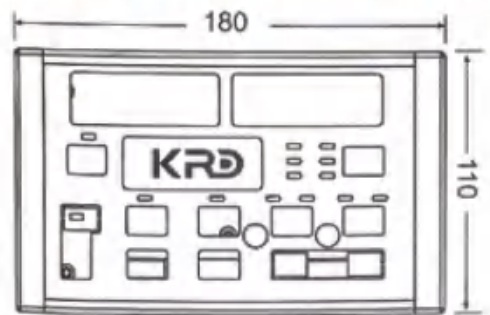
壁挂安装
Wall Mount



屏式开孔安装
(开孔尺寸: 163x103)
Platen Hole Mount
(Hole Dimension 163x103)

产品尺寸 (适用于KTC002/KTC800A)

Product Dimension(suitable for KTC002/KTC800A)



自动张力控制器

AUTOMATIC TENSION CONTROLLER



特性

自动张力控制器采用目前国际上多项先进技术:专用微处理器, 高速18位AD转换器,抗干扰自动恢复技术, 及PID无超调算法,从而实现恒张力控制。广泛应用于印刷、包装、造纸、纺织、线缆等各种需对张力进行精密测控的行业。根据输入信号的不同, 分为:

● 全自动型张力控制器KTC828型

张力控制系统的信号输入可以选择是来自:

- 1、张力检测器的电流或电压输出(MA或MV)——全自动型
- 2、编码器或接近开关的输出信号(0~9V)——半自动型

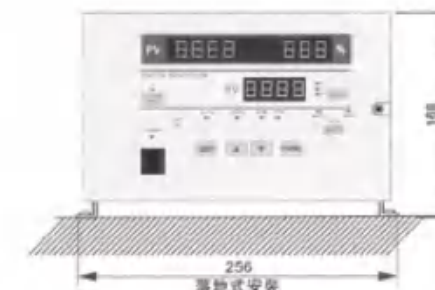
Tension Controller is widely used in printing, packing, paper, textile and other replated industries.

It adopted the most advanced technologies such as specialized microprocessor, high speed 18 bit A/D converter, Anti-interference and self-recovery technology and PID non-overshooting algorithm.

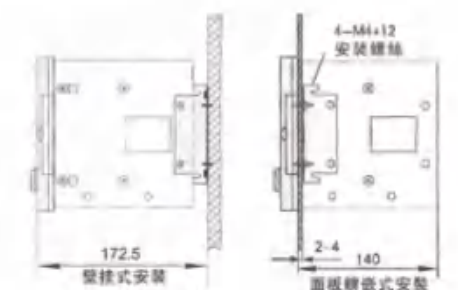
规格

工作电源输入	Working Input Power	AC220V 100W
工作电源输出	Working Output Power	DC10V, 张力检测器电源 DC10V, Power of Tension Detector
模拟量输入信号	Analog Output	两路张力检测器的信号输入 Analog input from two tension detector
模拟量输出信号	Analog Input	控制输出DC0~10V用于控制变频器伺服放大器等 DC0-10v is used for controlling tranducer and other equipmen 控制输出DC0~24V用于控制DC24V、电流在4A以下的磁粉(电磁)离合器 制动器等 DC0-24 is used for controlling Magnetic powder brake and clutch
数字量输入信号	Digital Input	每个数字量都是采用光电隔离电路输入的。所有数字量输入只有DIO DA DIB Every number is inputted by classic circuit of optocoupler. All the analog input is by DIO DIA DIB
使用环境温度	Using Temperature	-10~40℃
使用环境湿度	Using Humidity	35~85%RH (不得结露) 35-85%RH (Non Condensing)
使用环境	Using environment	无腐蚀性, 无可燃气体, 无导电性尘埃, 灰尘少 Non-Corrosiveness Gas-free Non-productive Dust Less Dust
接地	Ground	D类接地(禁止与强电电缆共同接地) D Type ground (Cannot ground together with High Curreny Wire)

安装范例及尺寸 Assemble Example and Dimension



落地式安装
Flour Mount

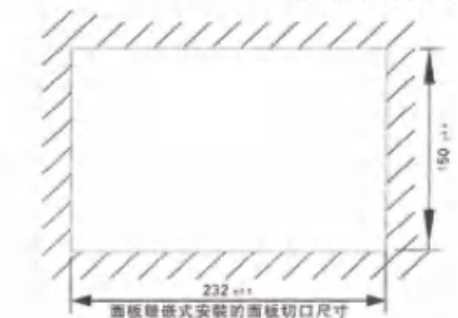


壁挂式安装
Wall Mount

面板槽式安装
Panel Mount



平面、立面安装定位孔
Mounting and Locating Hole



面板槽式安装的面板切口尺寸
Sizes of Notches of Panel Mount



安全夹头

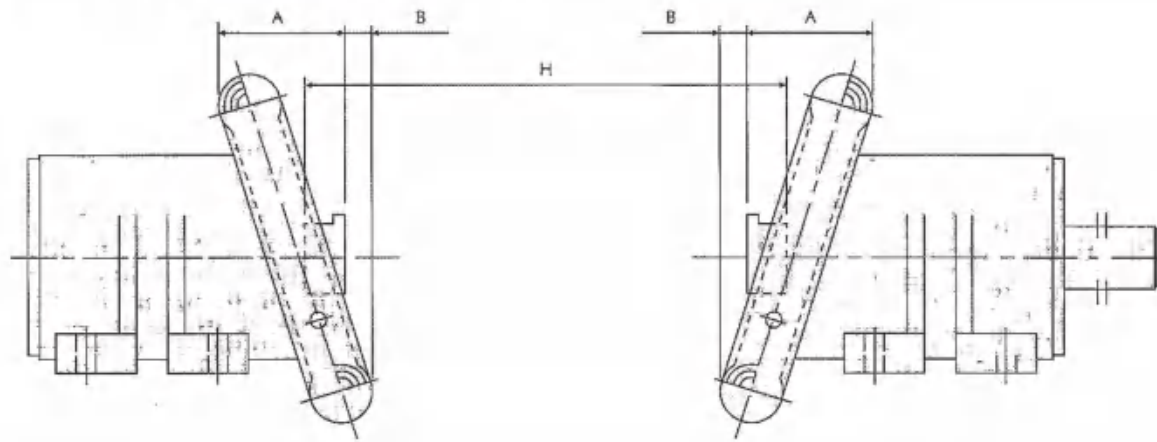
SAFETY CHUCK



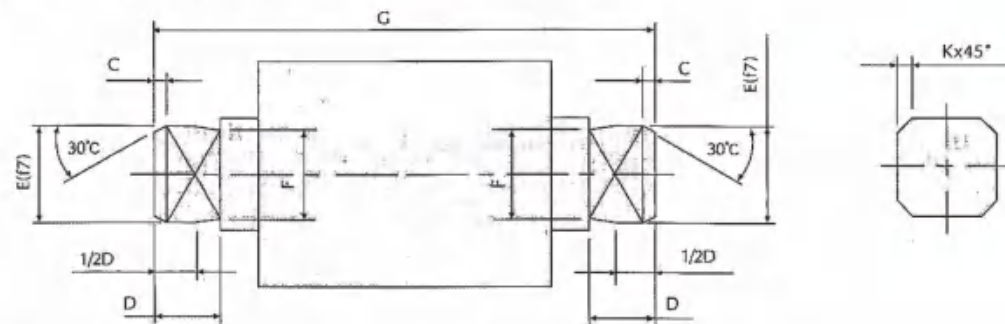
安全夹头为连结传动及脱离动作之频繁着(提供快速、确实、简易及安全的联轴器)。精确的加工精度保证定位的准确。卷轴托口采用特殊的热处理工艺,提供可更换VT型卷轴托口,更极大的延长了使用寿命。

Safety Chuck can function as a stable shaft coupling, providing support for rotation and releasing of airshaft. The Safety Chuck of Rongjiu Machinery features great accuracy and shaft holding mouth is treated by special heat treatment technology, which could also be replaced to extend the using time of the safety chuck.

卷轴两侧规格尺寸 Two Ends Dimension



气胀轴两端尺寸 Airshaft Two Sides Dimension

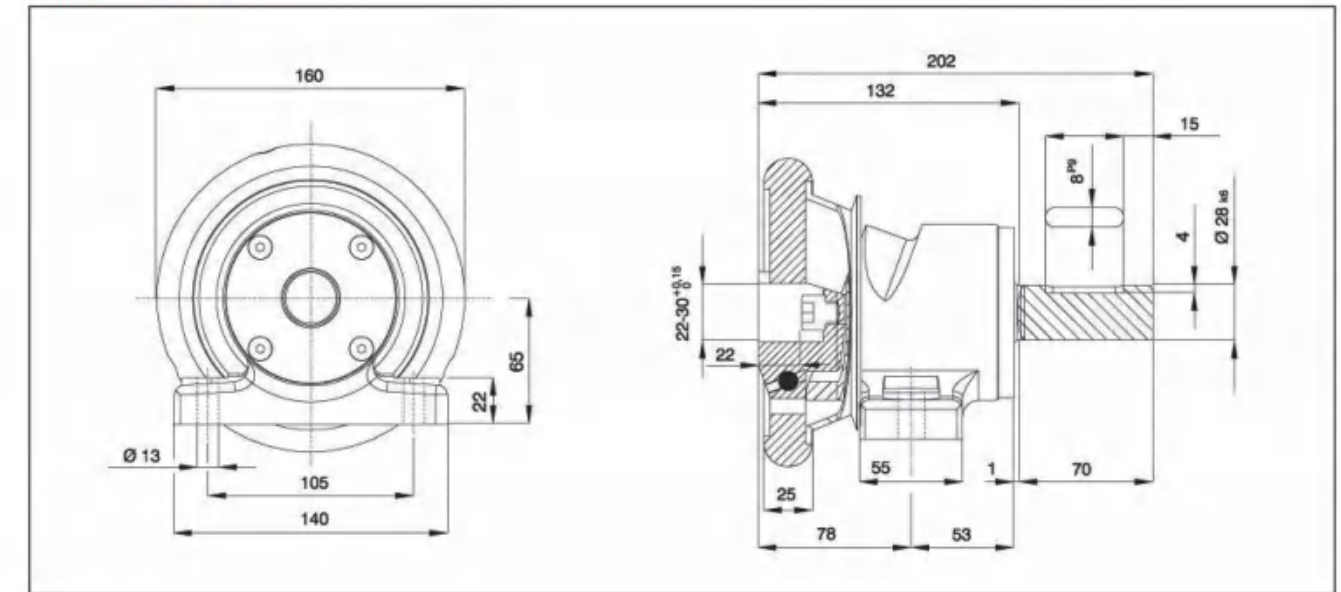


注: 其他尺寸在允许范围内可依据需求定制 Other dimensions are available according to customer requirement

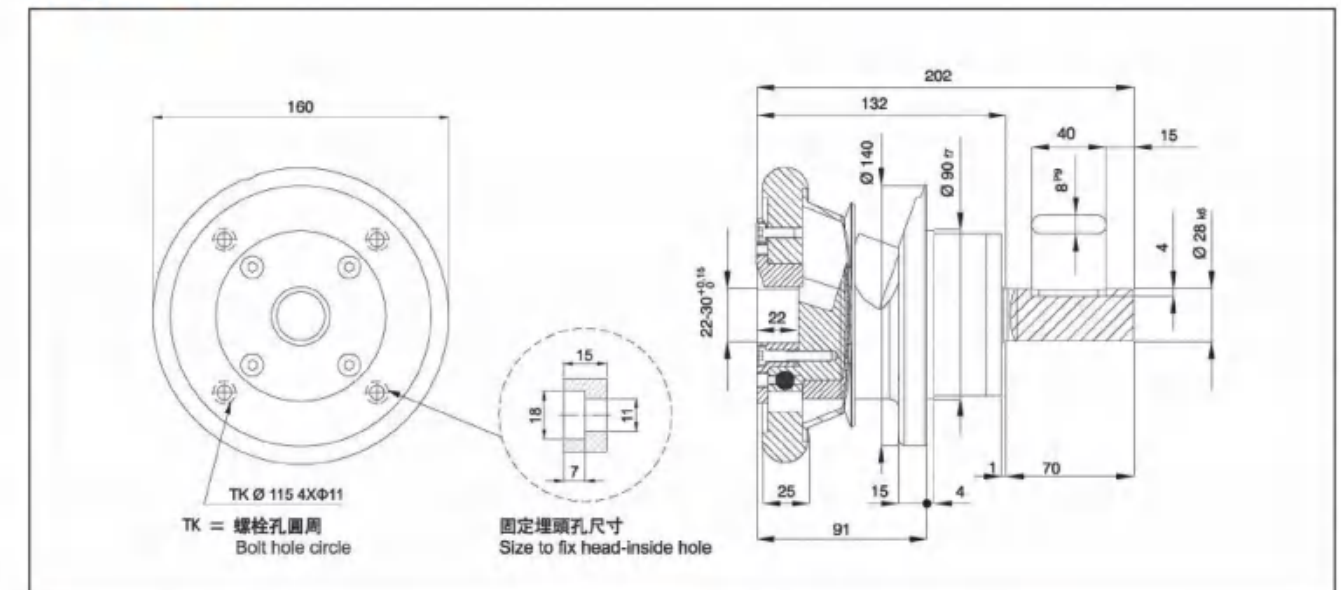
法兰型、轴座型安全夹头 Flange Type and Pedestal Type Safety Chuck

型号	Type	FLO/FLW 28-	STO/STW 28-
梁最大荷重量	Maximum Load Weight [kg]	800	800
承受最大转矩	Maximum Torque [N/m]	18(180)	18(180)
卷轴轴端允许尺寸	Shaft End Applicable Dimension [mm]	22-30	22-30
重量(约)	Weight [kg]	18	18

STO/STW 28



FLO/FLW 28



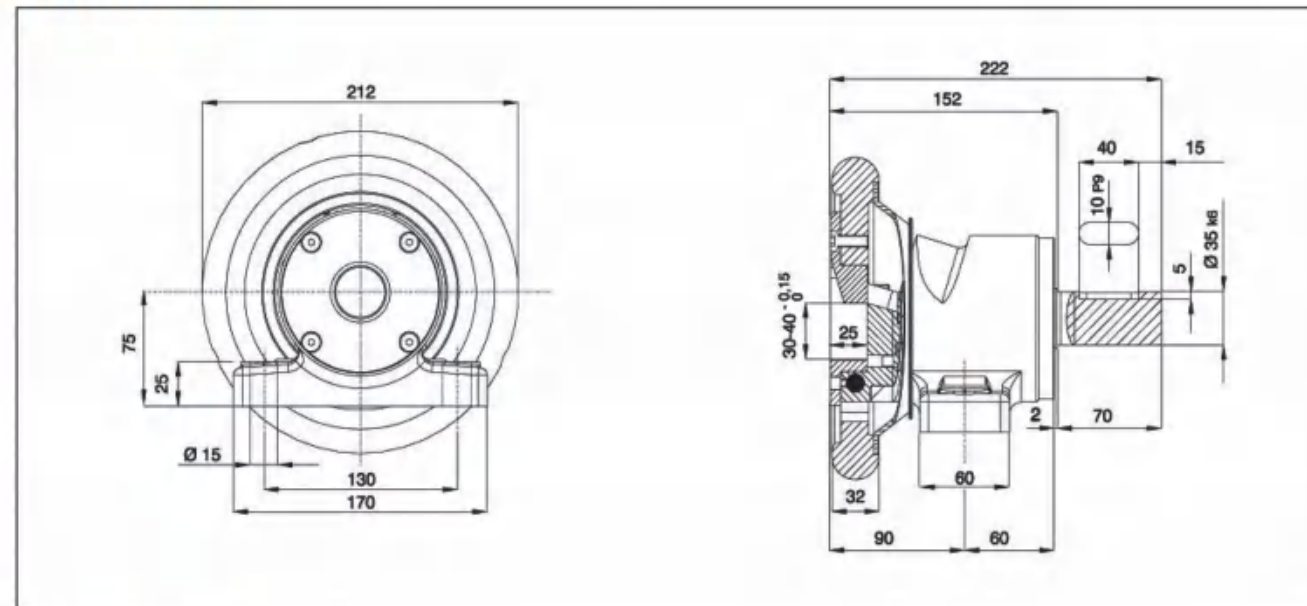
注: 其他尺寸在允许范围内可依据需求定制 Other dimensions are available according to customer requirement



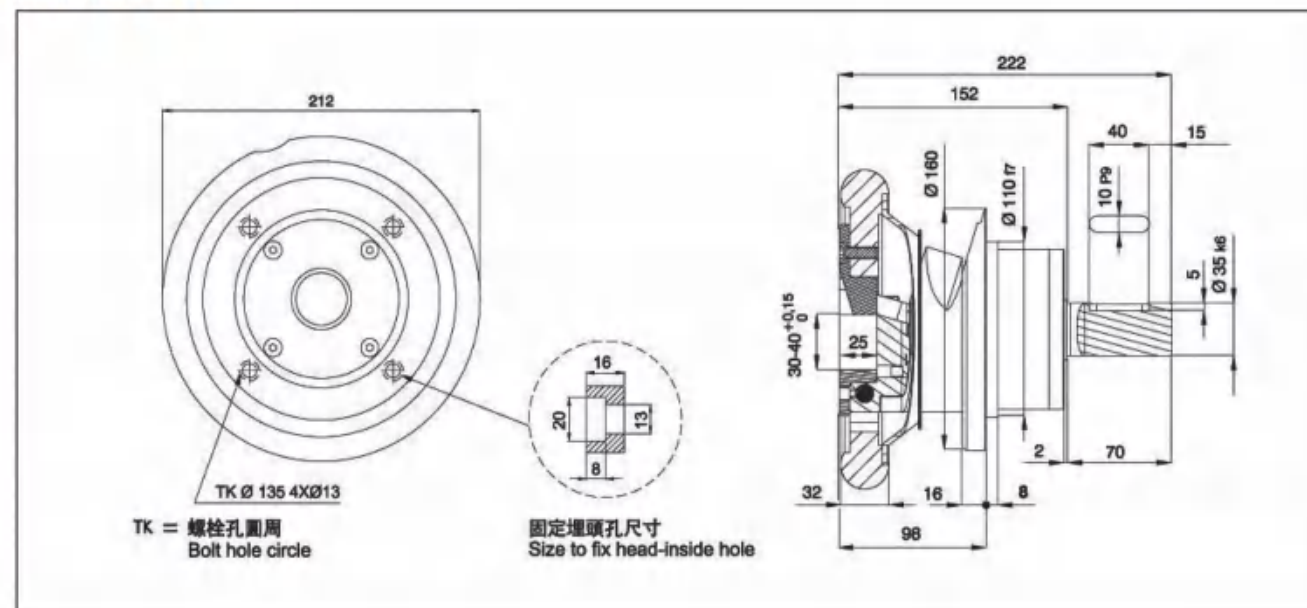
法兰型、轴座型安全夹头 Flange Type and Pedestal Type Safety Chuck

型号	Type	FLO/FLW 35-	STO/STW 35-
梁最大荷重量	Maximum Load Weight [kg]	1600	1600
承受最大转矩	Maximum Torque [N/m]	35 (350)	35 (350)
卷轴轴端允许尺寸	Shaft End Applicable Dimension [mm]	30-40	30-40
重量 (约)	Weight [kg]	25	25

STO/STW 35



FLO/FLW 35



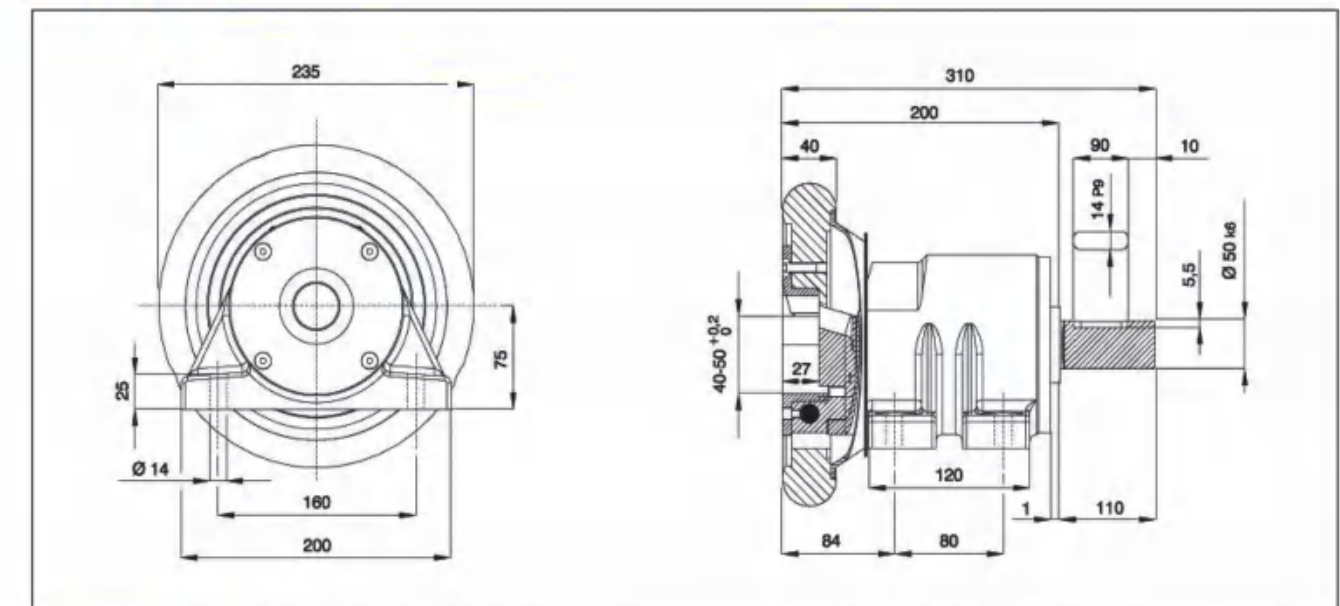
注:其他尺寸在允许范围内可依据需求定制

Other dimensions are available according to customer requirement

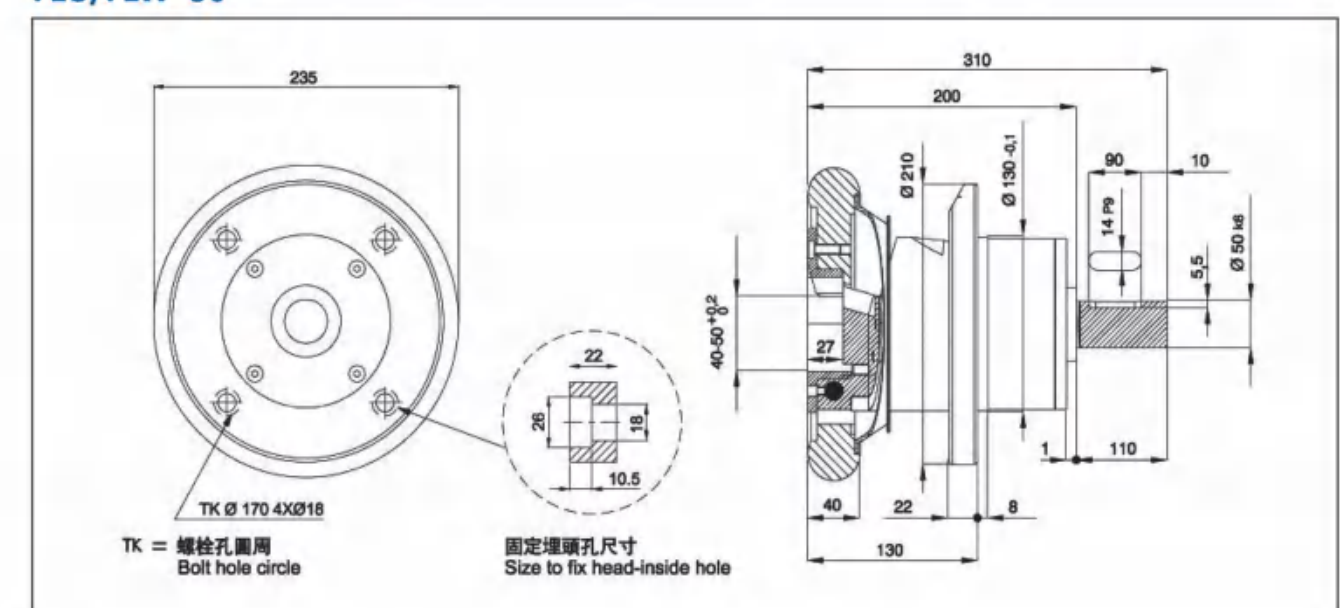
法兰型、轴座型安全夹头 Flange Type and Pedestal Type Safety Chuck

型号	Type	FLO/FLW 50-	STO/STW 50-
梁最大荷重量	Maximum Load Weight [kg]	2800	2800
承受最大转矩	Maximum Torque [N/m]	110 (1100)	110 (1100)
卷轴轴端允许尺寸	Shaft End Applicable Dimension [mm]	40-50	40-50
重量 (约)	Weight [kg]	50	50

STO/STW 50



FLO/FLW 50



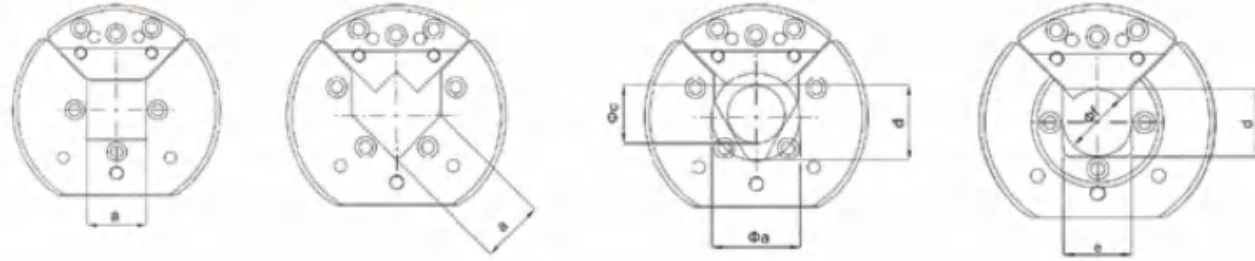
注:其他尺寸在允许范围内可依据需求定制

Other dimensions are available according to customer requirement



VT型托口标准尺寸表

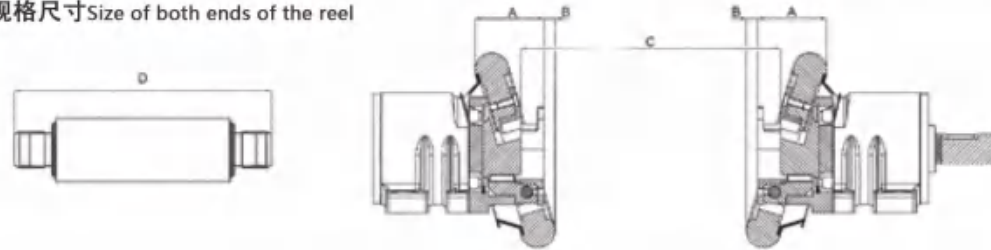
VT TYPE HOLDING MOUTH DIMENSION CHART



TYPE	VT1/VT2					ϕb	ϕc	ϕd	ϕe	ϕf F7
	a(mm)									
28	25	30				45	30	37.5	30	37.5
35		30	32	35	40	55	36	45.5	36	45.5
50				40	45	70	46	58	46	58
75					50	105	96	86	96	86

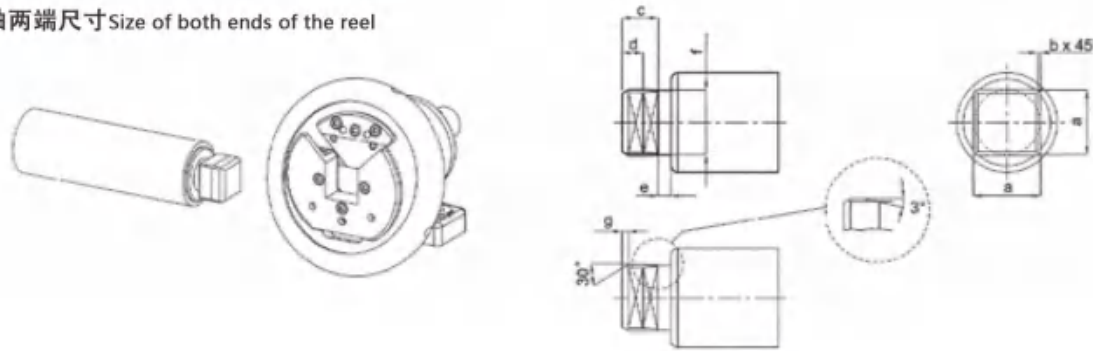
VT2:75a=max.63.5 [注] 特殊的卷轴托口尺寸可依据需求定制。 Special reel support can be customized according to requirements

卷轴两侧规格尺寸 Size of both ends of the reel



Size	A	B	x= (C-D)
28	61	8	0.5
35	73	13	0.5
50	81	13	0.5
75	106	16	0.5

卷轴两端尺寸 Size of both ends of the reel



Size	a f7	b	c	d	e	ϕf	g
28	22-30	1	21.5-0.2	11	8	a-1 -0.1/0.2	4
35	30-40	1.5	24-0.2	12.5	10	a-1 -0.1/0.2	5
50	40-50	2	26-0.2	13.5	10	a-1 -0.1/0.2	5
75	50-80	3	34-0.2	17.5	17	a-1 -0.1/0.2	6

注:其他尺寸在允许范围内可依据需求定制

Other dimensions are available according to customer requirement

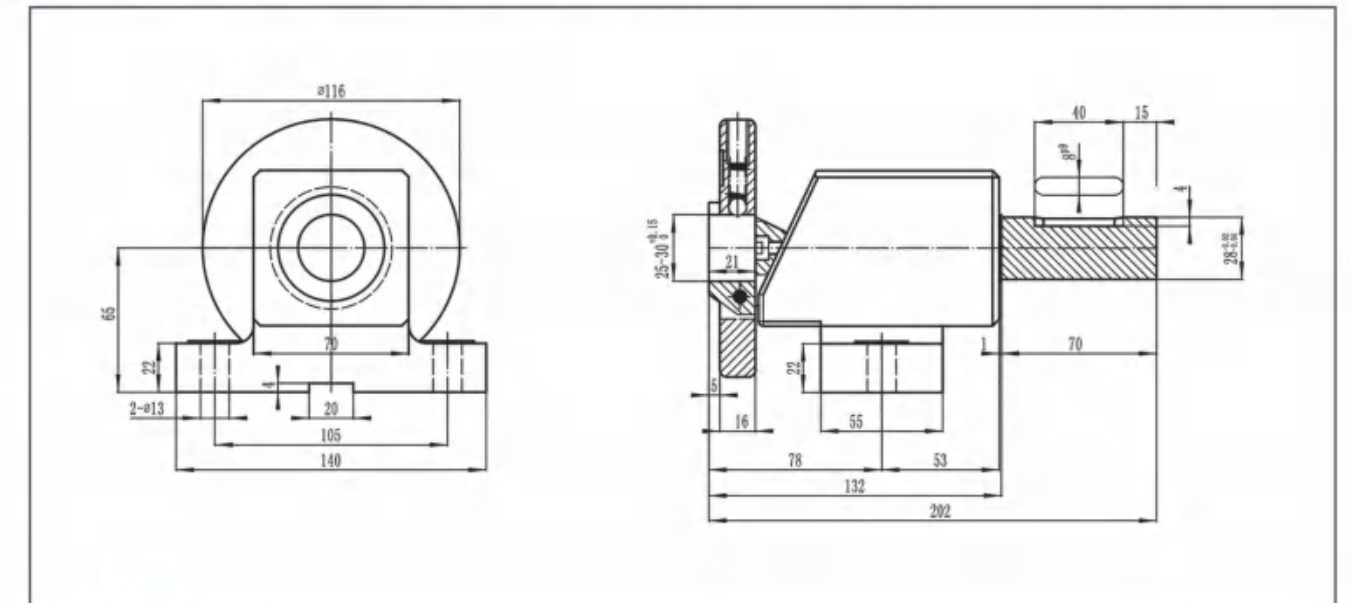
数码印花专用轻型卡盘

DIGITAL PRINTING INDUSTRY LIGHT TYPE SAFETY CHUCK

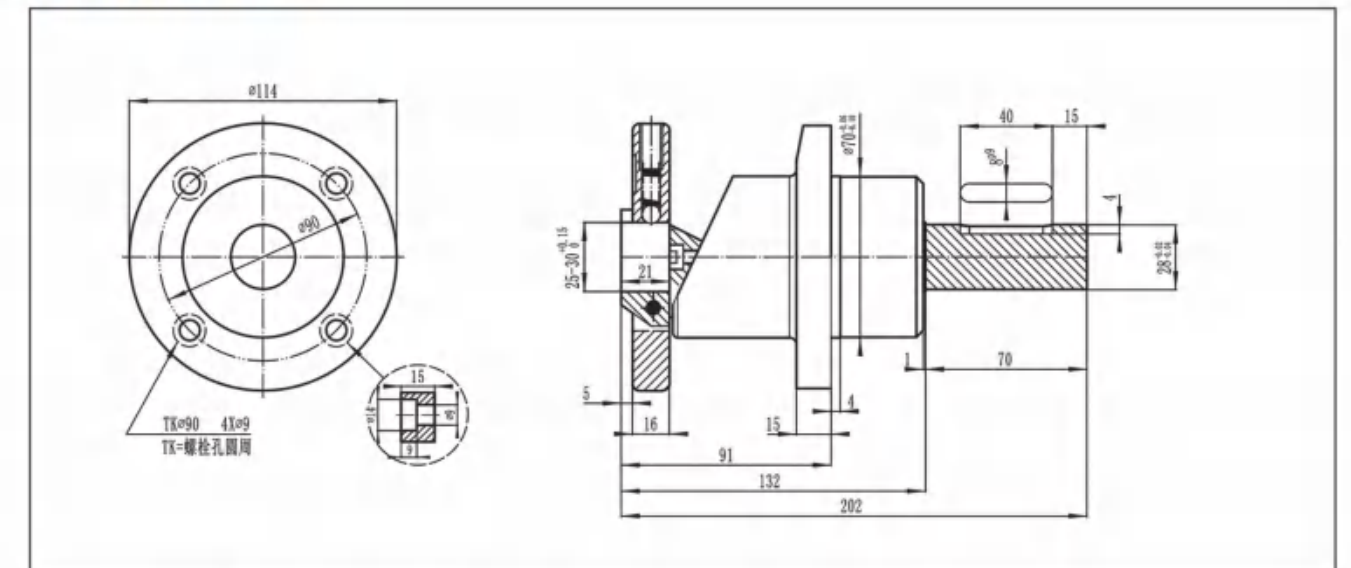
特点: ▣ 重量轻 ▣ 操作方便(单手操作) ▣ 成本低 ▣ 定制外观

型号	Type	FLO/FLW 28-轻型	STO/STW 28-轻型
梁最大荷重量	Maximum Load Weight [kg]	300	300
承受最大转矩	Maximum Torque [N/m]	10(100)	10(100)
卷轴轴端允许尺寸	Shaft End Applicable Dimension [mm]	25-30	25-30
重量(约)	Weight [kg]	5	5

STO/STW 28-轻型 STO/STW 28-LType



FLO/FLW 28-轻型



注:其他尺寸在允许范围内可依据需求定制

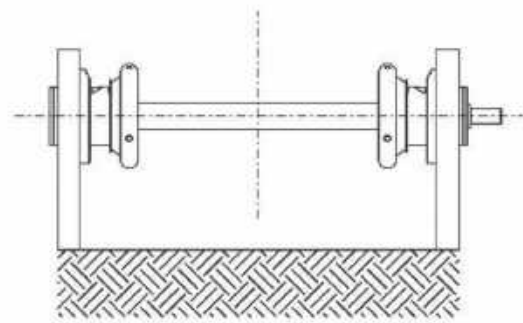
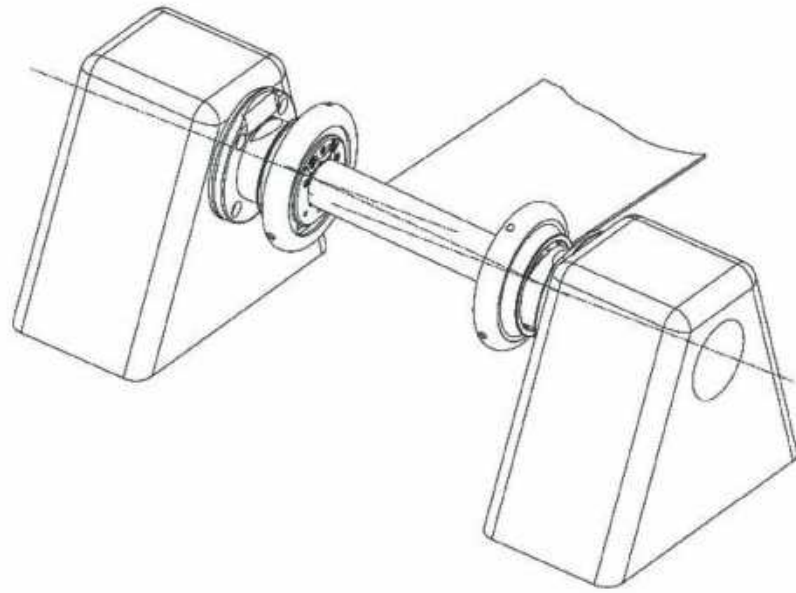
Other dimensions are available according to customer requirement



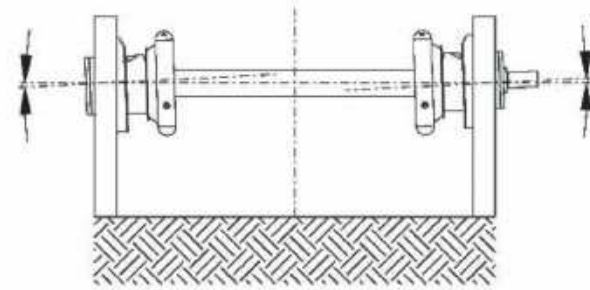
安全夹头

SAFETY CHUCK

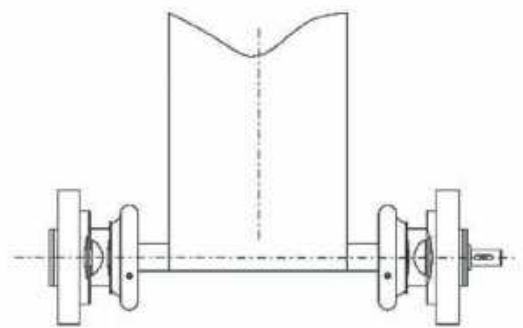
法兰型、轴座型安全夹头 Flange Type and Pedestal Type Safety Chuck



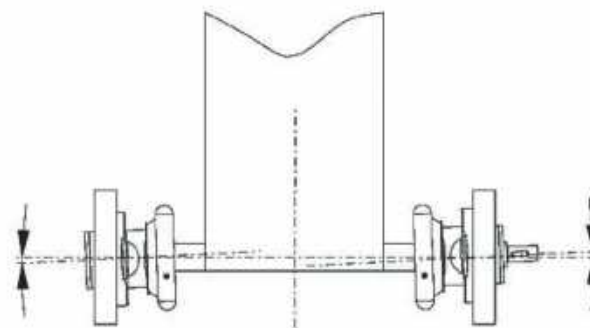
正确 CORRECT



错误 WRONG



正确 CORRECT



错误 WRONG

